



5900

ALUMINUM SINGLE HUNG WINDOW



800.475.5061 | gerkin.com

5900

ALUMINUM SINGLE HUNG WINDOW

DECADES OF PROVEN PERFORMANCE

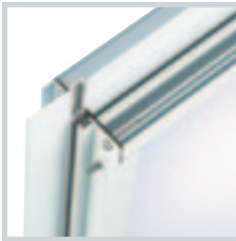
This single hung offers great performance with a smooth operation. The 5900 is highlighted by block and tackle balances, a tilt-in sash, recessed tilt latches, automatic sill locks and dual pull rails. Our air infiltration is an amazingly low .03! This great performance is enhanced by features like a sloped sill, dual weatherstripping and a center interlock.



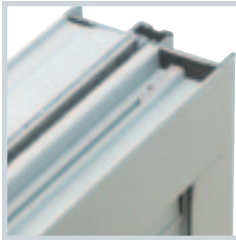
5900

ALUMINUM SINGLE HUNG WINDOW

5900 SINGLE HUNG | FEATURES



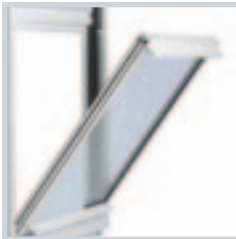
2 3/8" Thermally Broken Frame Depth:
We use a thermally broken frame and sash for improved thermal efficiency.



Polyethylene Seal Pads:
Gerkin ensures a tight fit at all sash and frame corners to seal out light, air and water.



Nail Fin:
Nail fins are a standard feature for this window. The corners are closed which allows for full perimeter flashing. As an option, Gerkin will remove the nail fin for masonry or subframe installations.



Easy Tilt-in Sash:
The operating sash uses attractive flush mount tilt latches for easy cleaning.



Self-Latching Locks:
For safety and convenience, the operating sash locks automatically at the sill when closed. The latches are concealed from plain sight. They are easily activated by lifting up.



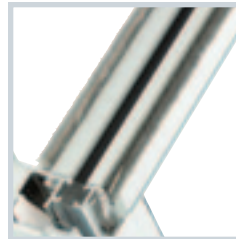
Sloped Sill:
This feature eliminates the need for weeps under the sash. Air infiltration performance is enhanced due to this feature.



Window Balances:
The 5900 features a smooth block and tackle balance system. The block and tackle balance is one of the most reliable and long lasting balances available. This balance allows for an easy operation.



Mullion Interlock:
The use of a mullion interlock helps to reduce deflection and creates a snug fit. The structure of the window is enhanced and air infiltration is reduced.



Dual Weatherstripping:
This window features heavy wool pile weatherstripping with a Mylar fin on two locations of the sash. A bulb seal at the sill and interlock seals make this window one of the tightest single hungs available.



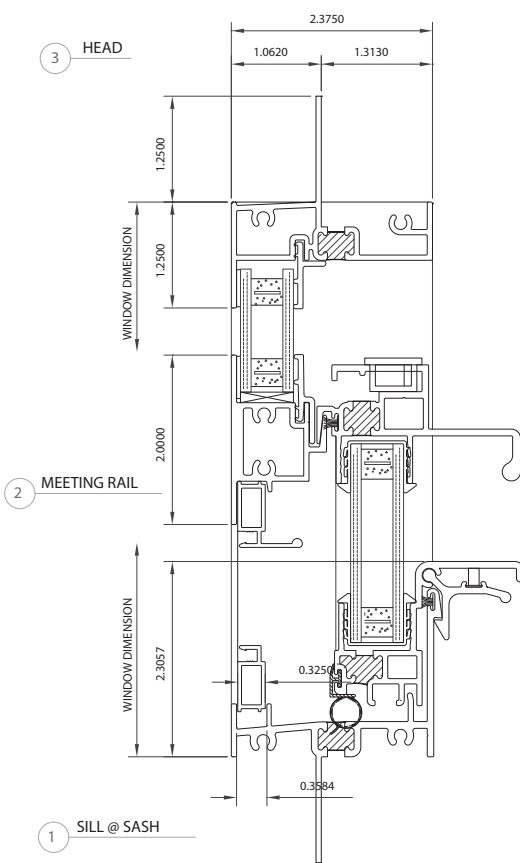
Extruded Screen Frames:
The strength of extruded screens is a major maintenance cost advantage for Gerkin over easily damaged roll form screens.

5900

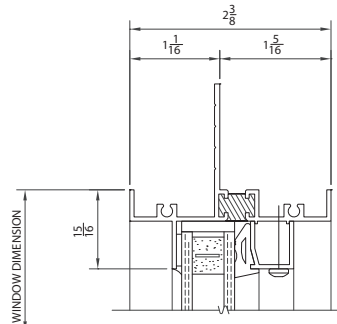
ALUMINUM SINGLE HUNG WINDOW

5900 SINGLE HUNG | DETAILS

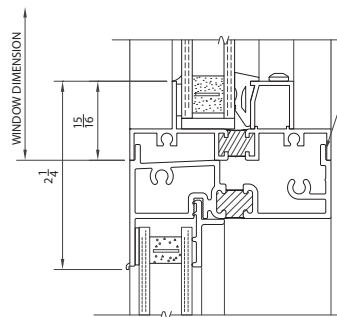
CONR061



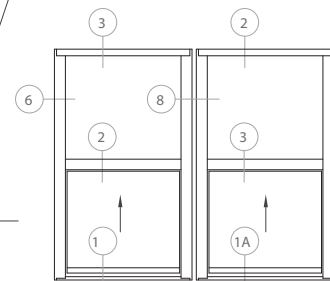
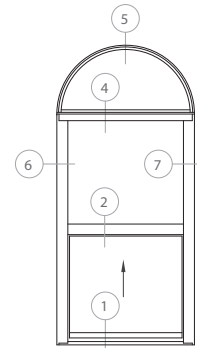
ORF010_2015_C04



5 HEAD AT ROUND TOP



4 HEAD AT STACK



SHEET NO:

1

5900 SERIES SINGLE HUNG

GERKIN WINDOWS & DOORS RESERVES THE RIGHT TO CHANGE OR DISCONTINUE MANUFACTURING ANY OF ITS STANDARD WINDOW SYSTEMS OR COMPONENTS WITHOUT PRIOR WRITTEN NOTICE.



5900

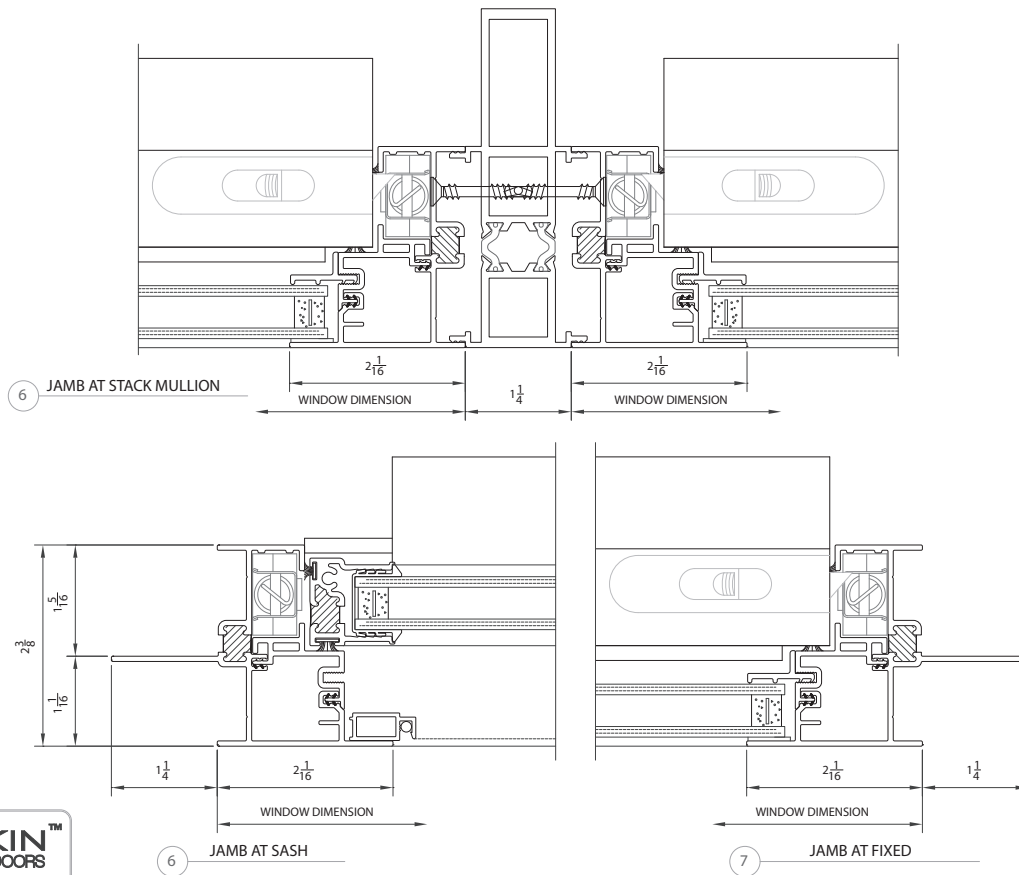
ALUMINUM SINGLE HUNG WINDOW

5900 SINGLE HUNG | DETAILS

SHEET NO:

2

5900 SERIES SINGLE HUNG



02/09/02

06/10/03

5900

ALUMINUM SINGLE HUNG WINDOW



5900 SINGLE HUNG | TEST RESULTS

NFRC | TEST RESULTS

| | |
|-----------------------------------|-----|
| U-Value w/LoE ³ /Argon | .38 |
| Solar Heat Gain Coefficient | .24 |
| Visible Transmittance | .53 |
| Condensation Resistance | 48 |
| U-Value Air Only* | .43 |

AAMA | TEST RESULTS

| Test Window 54" x 90" | |
|---|----------------|
| Class | LC-PG50-H |
| Air Infiltration | .03 cfm/sq.ft. |
| Water | 7.50 psf |
| Structural Wind Load | 75.0 psf |
| U-Value w/LoE ³ /Argon | .38 |
| Solar Heat Gain Coefficient | .24 |
| Visible Transmittance | .53 |
| Condensation Resistance | 48 |
| Indoor/Outdoor Sound Transmission Class | 28 |
| Sound Transmission Class (w/ 1/4 LAM X 1/8 A) | 31 |
| U-Value Air Only* | .44 |



*U-Values for our windows with 1/8" 366 LoE³ glass, air only, 1/8" clear glass, no muntins or argon in the air space.

Tested and Certified to AAMA/WDMA/CSA 101/I.S.2 A440-08

U-Value/SHGC/VT/CRF Tested to NFRC 100/200/500



800.475.5061 | gerkin.com