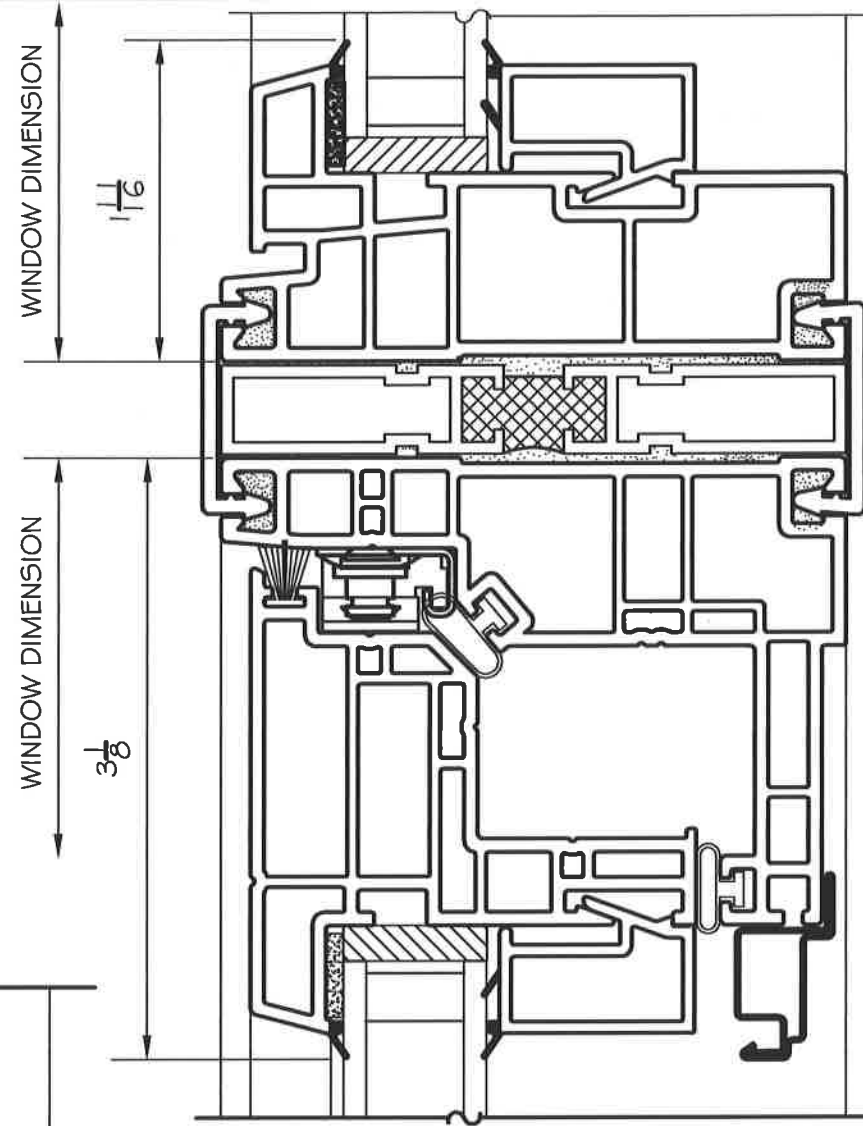
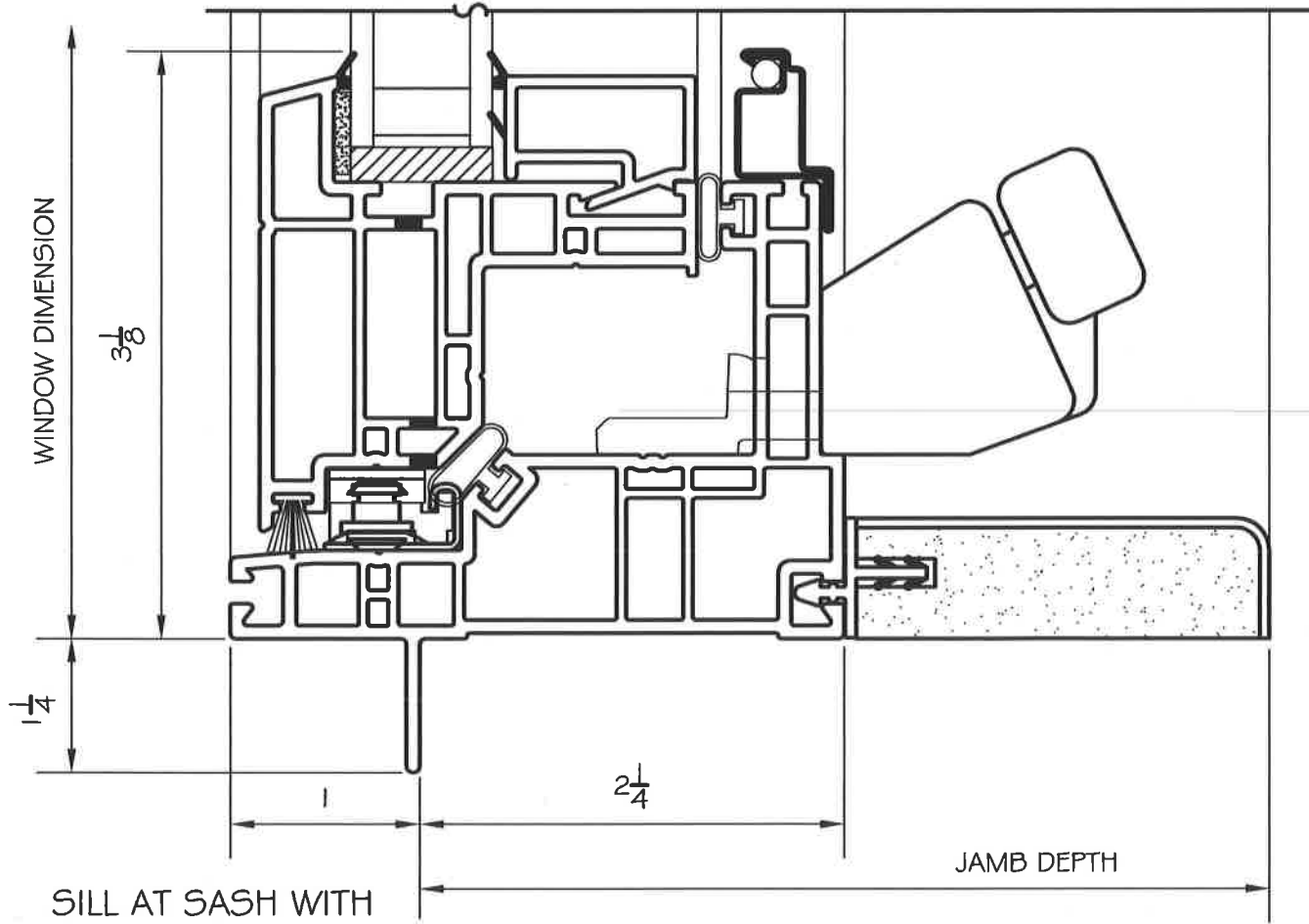


TYPICAL HEAD

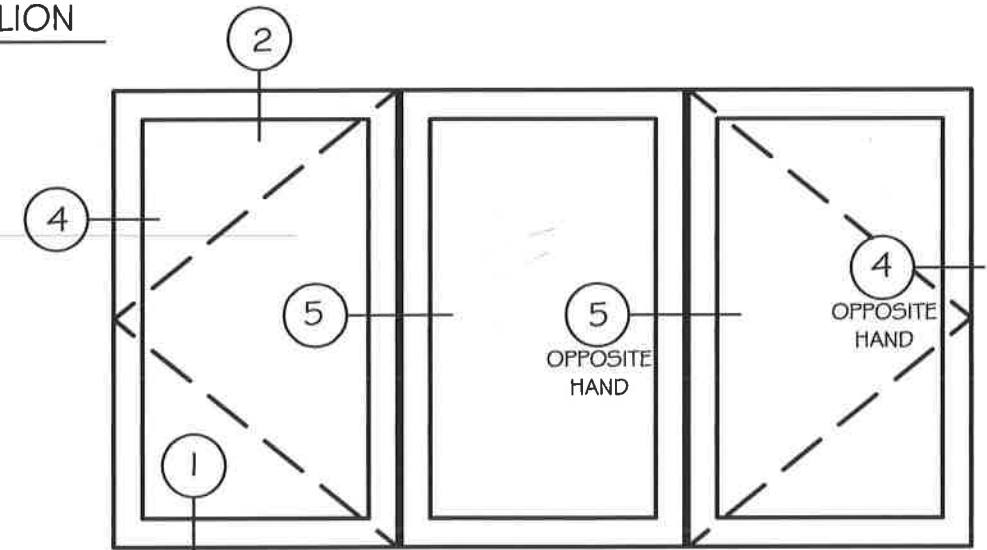
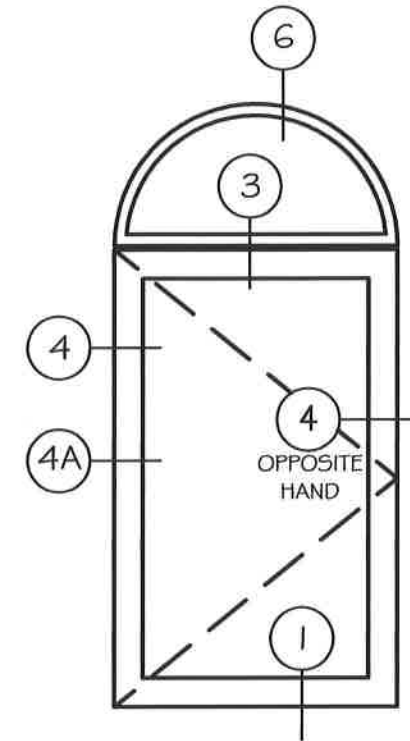


3 TYPICAL MULLION



1 SILL AT SASH WITH OPTIONAL EXTENSION JAMB

JAMB DEPTH



TYPICAL 3-LITE CASEMENT WINDOW

4300 SERIES CASEMENT WINDOW

GERKIN WINDOWS & DOORS RESERVES THE RIGHT TO CHANGE OR DISCONTINUE MANUFACTURING ANY OF ITS STANDARD WINDOW SYSTEMS OR COMPONENTS WITHOUT PRIOR WRITTEN NOTICE.

GERKIN™
WINDOWS & DOORS
Phone: 402-494-6000 Email: gerkin@gerkin.com

4300 SERIES CASEMENT WINDOW

