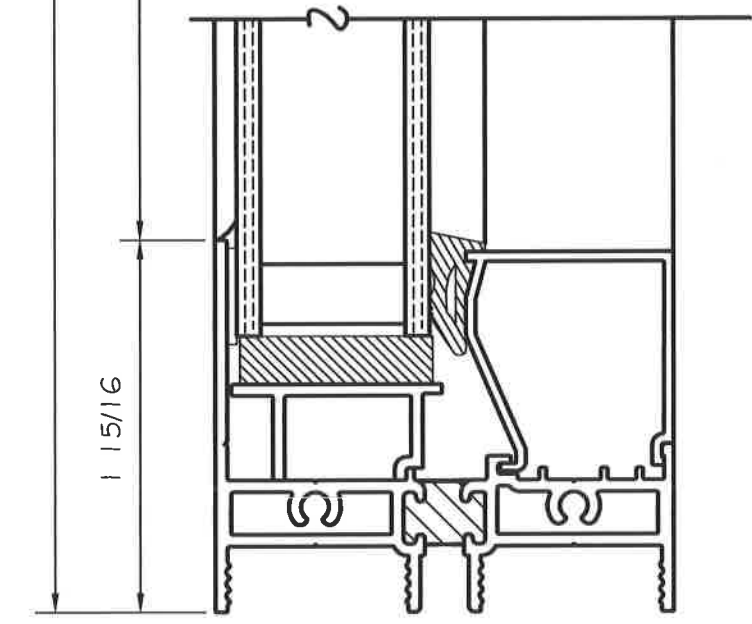
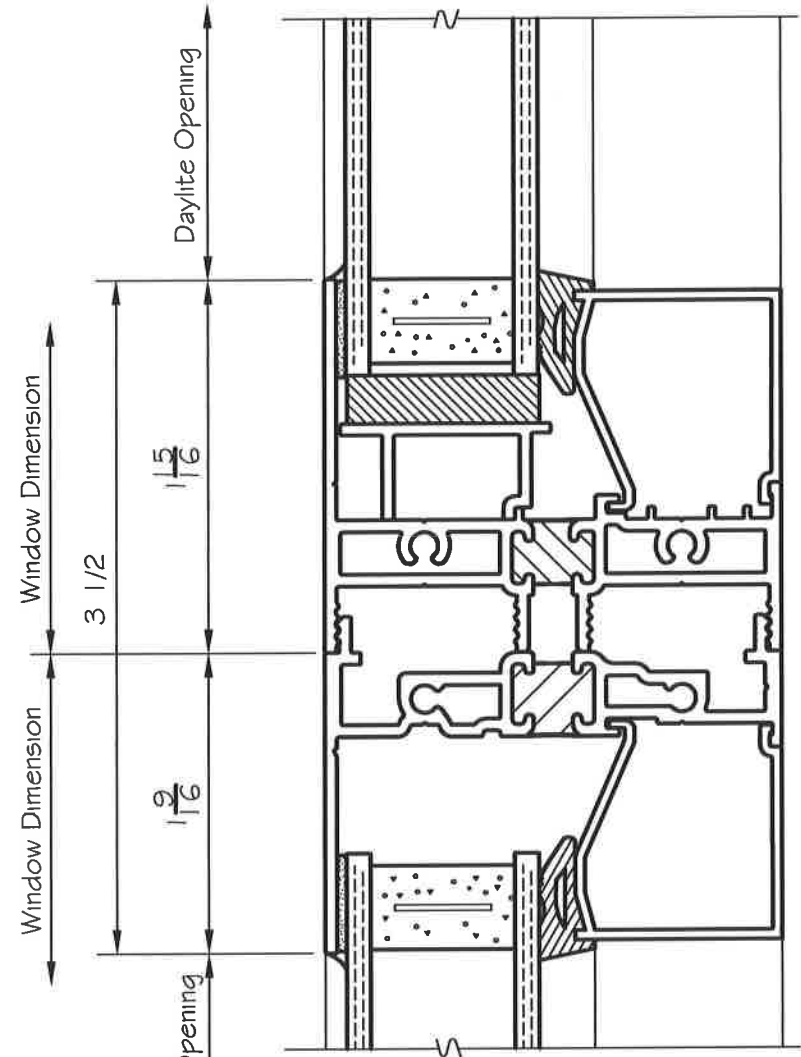


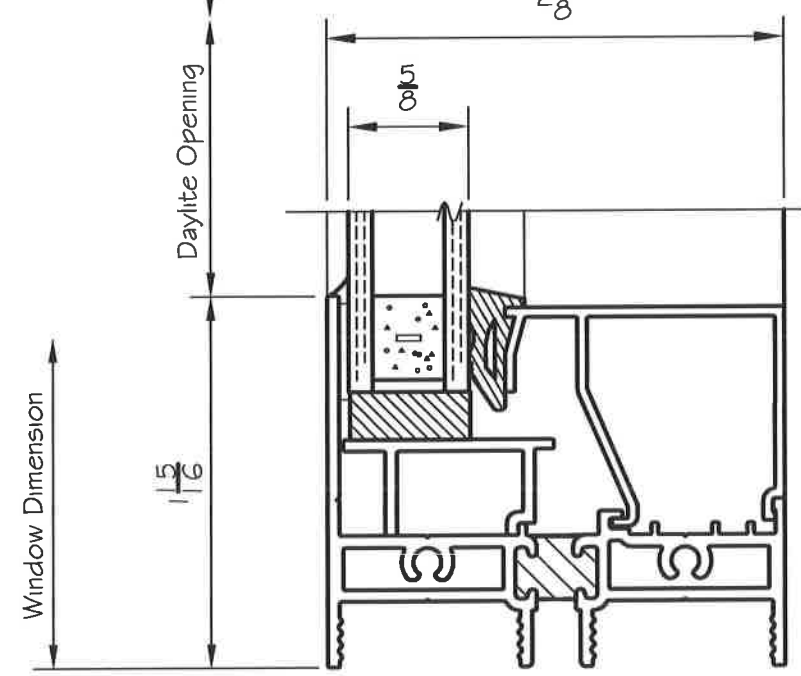
2 HEAD AT FIXED w/ FLUSH FLANGE



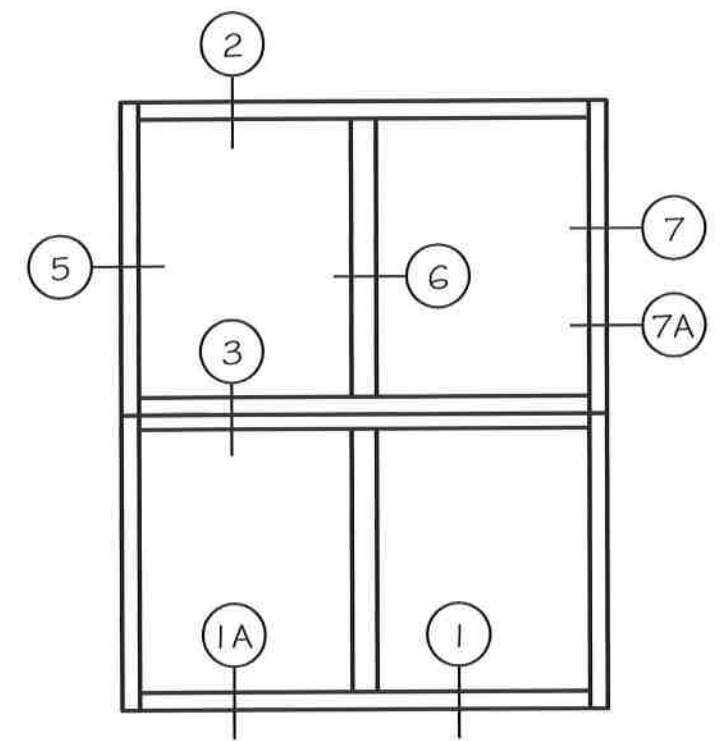
1A SILL AT FIXED



2 STACKING HEAD



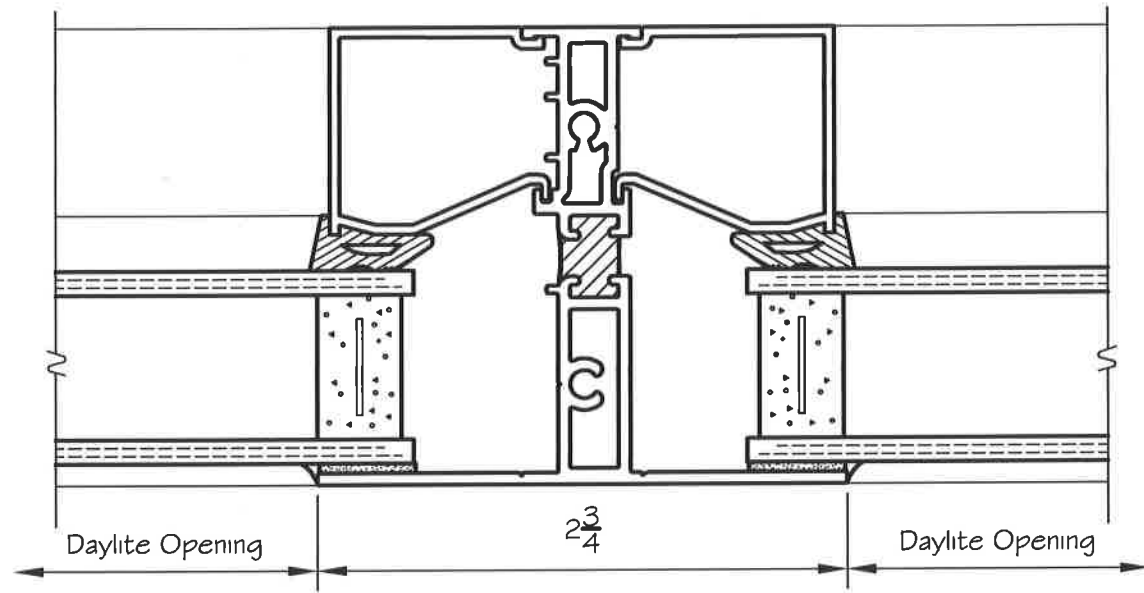
1 SILL AT FIXED



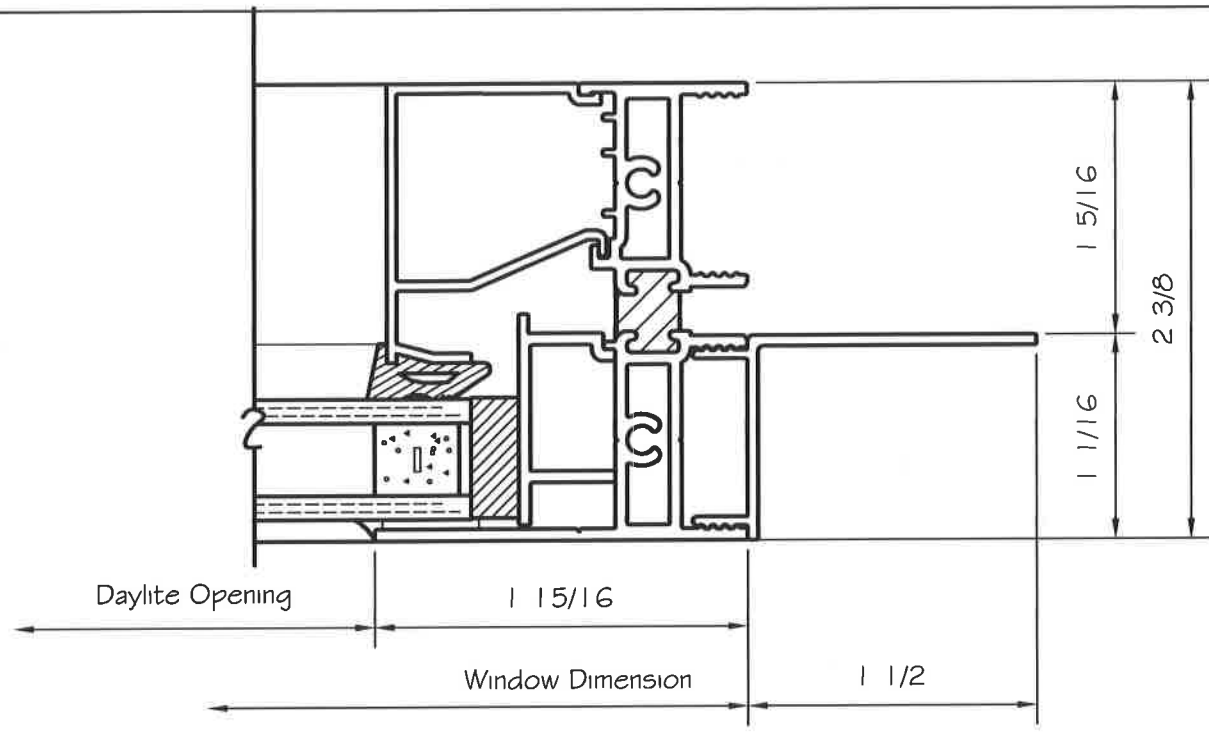
GERKIN WINDOWS & DOORS RESERVES THE RIGHT TO CHANGE OR DISCONTINUE MANUFACTURING ANY OF ITS STANDARD WINDOW SYSTEMS OR COMPONENTS WITHOUT PRIOR WRITTEN NOTICE.

GERKIN™
WINDOWS & DOORS
Phone: 402-494-6000 Email: gerkin@gerkin.com

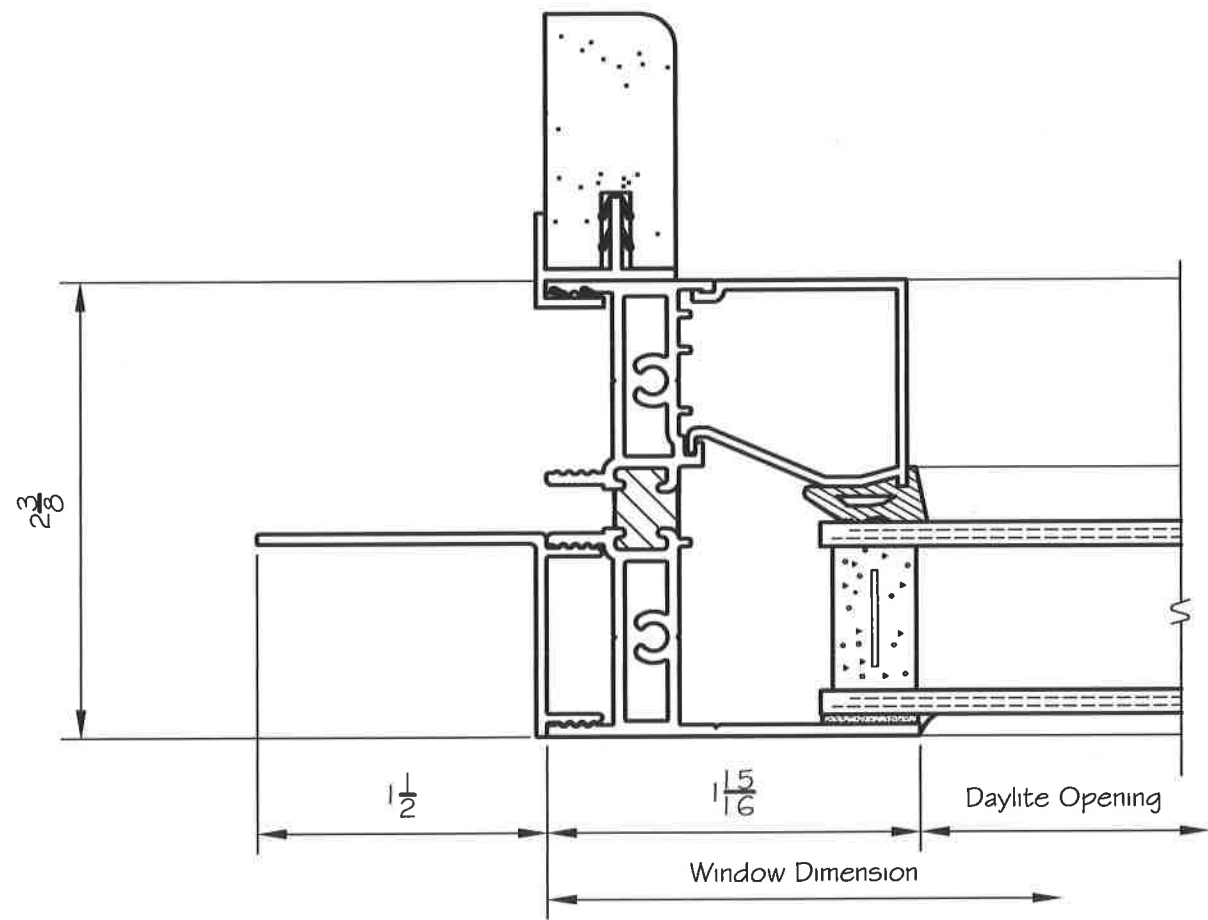
5500 SERIES FIXED WINDOW



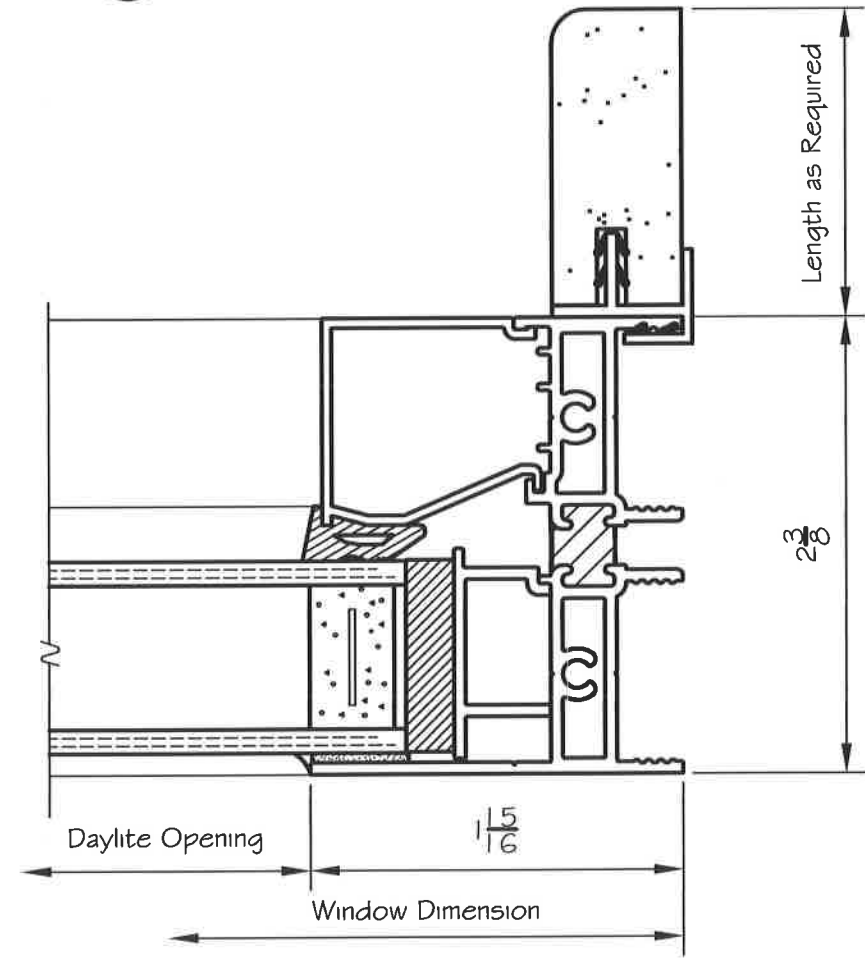
5 TRUE MUNTIN



6A JAMB AT FIXED W/
5/8" GLAZING



4 JAMB AT FIXED W/
OPTIONAL NAILING FLANGE &
OPTIONAL EXTENSION JAMB



6 JAMB AT FIXED W/
OPTIONAL EXTENSION JAMB