

GERKIN WINDOWS & DOORS RESERVES THE RIGHT TO CHANGE OR DISCONTINUE MANUFACTURING ANY OF ITS STANDARD WINDOW SYSTEMS OR COMPONENTS WITHOUT PRIOR WRITTEN NOTICE.



5100 SERIES PROJECT-OUT AWNING WINDOW

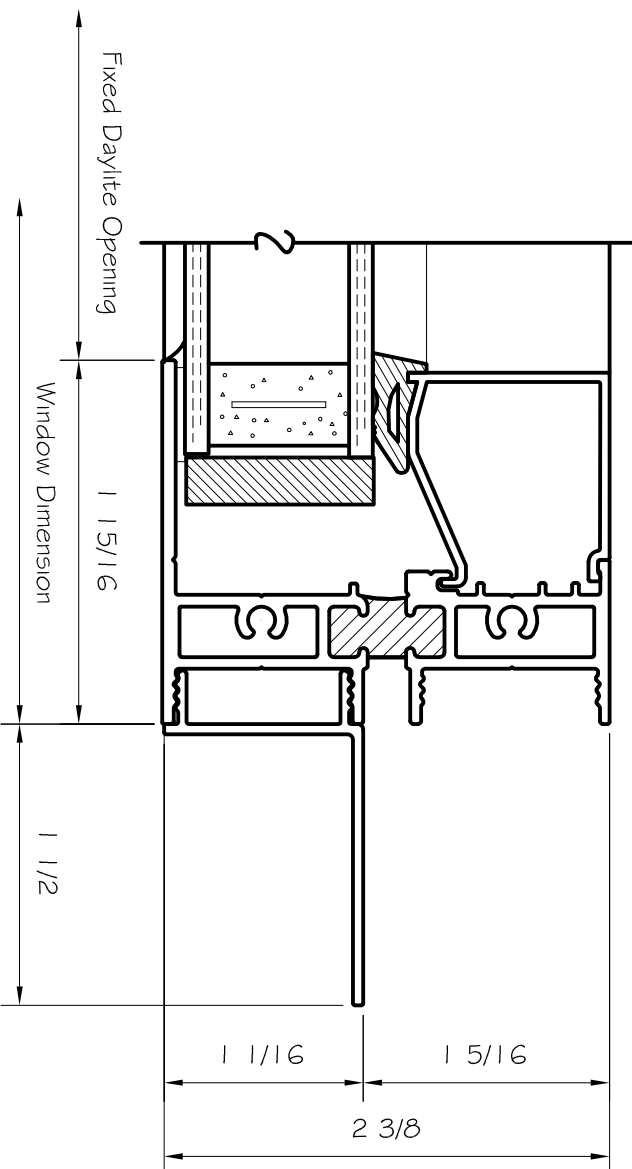
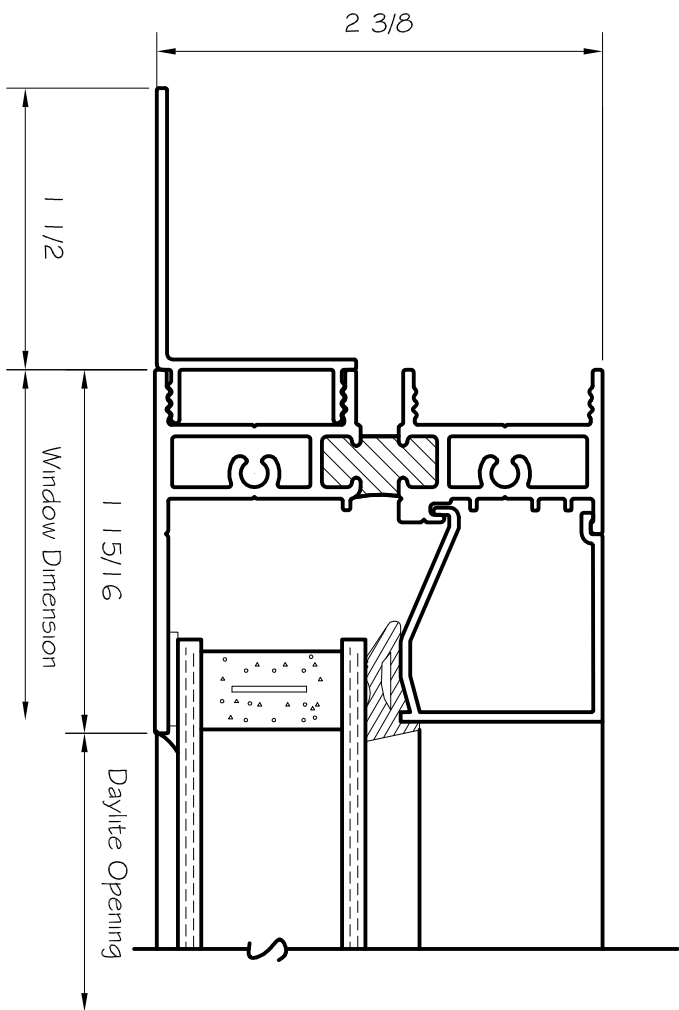
SHEET NO:
1

5100 SERIES PROJECT-OUT AWNING WINDOW



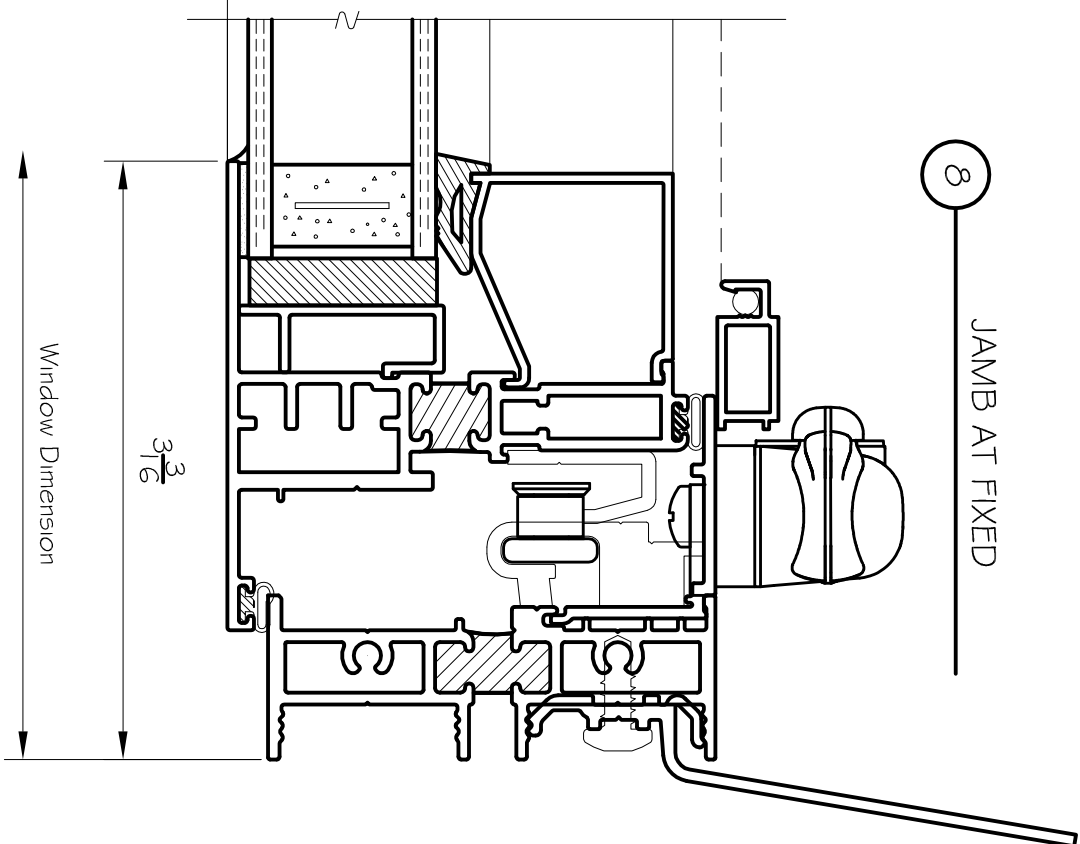
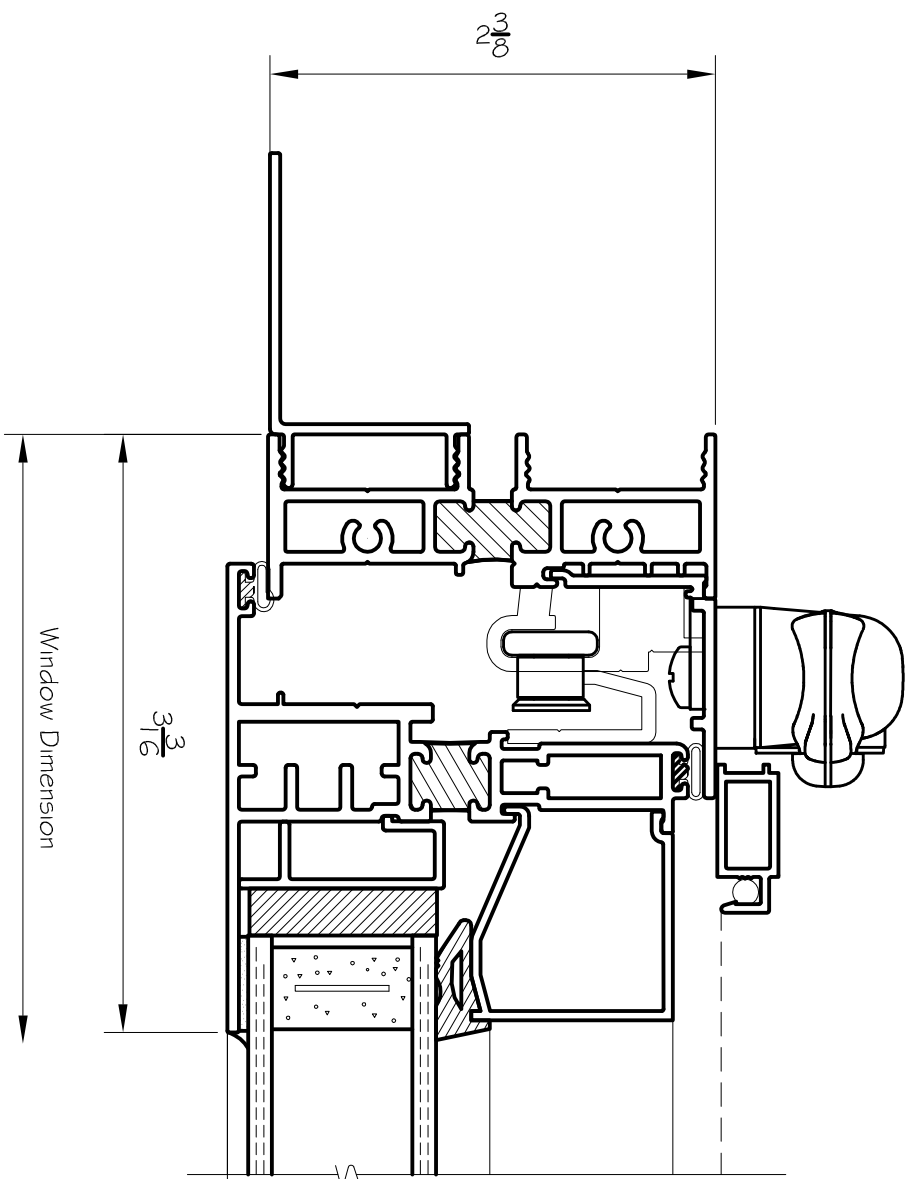
GERKIN™
WINDOWS & DOORS

Phone: 402-494-6000 Email: gerkin@gerkin.com



7 JAMB AT FIXED W/
OPTIONAL NAILING FLANGE

8 JAMB AT FIXED



5 JAMB AT SASH W/
OPTIONAL NAILING FLANGE

6 JAMB AT SASH W/
OPTIONAL STRAP ANCHOR