

GERKIN WINDOWS & DOORS RESERVES THE RIGHT TO CHANGE OR DISCONTINUE MANUFACTURING ANY OF ITS STANDARD WINDOW SYSTEMS OR COMPONENTS WITHOUT PRIOR WRITTEN NOTICE.



5300 SERIES PROJECT-OUT CASEMENT WINDOW

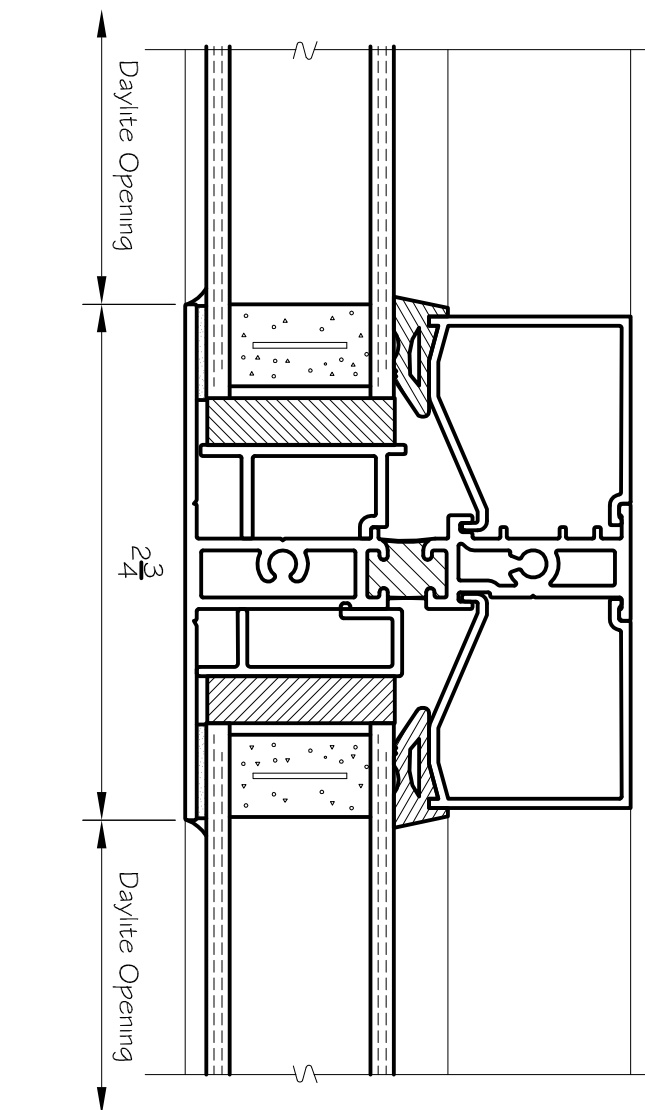
SHEET NO:
1

5300 SERIES PROJECT-OUT CASEMENT WINDOW

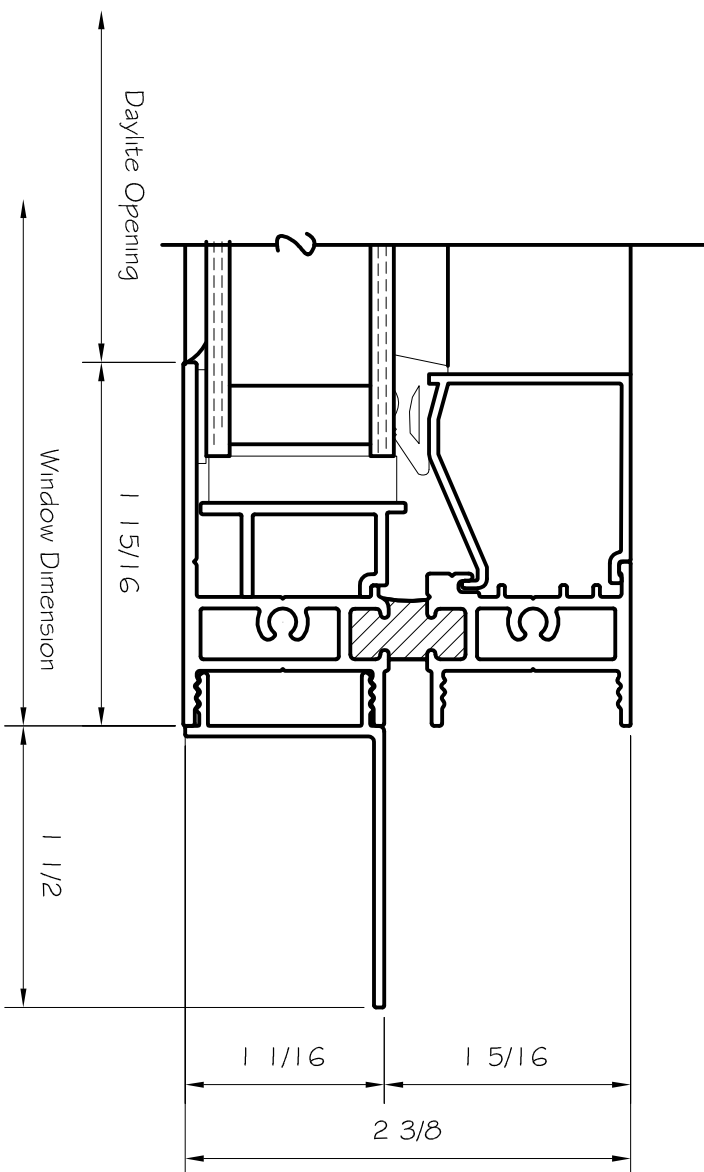


GERKIN™
WINDOWS & DOORS

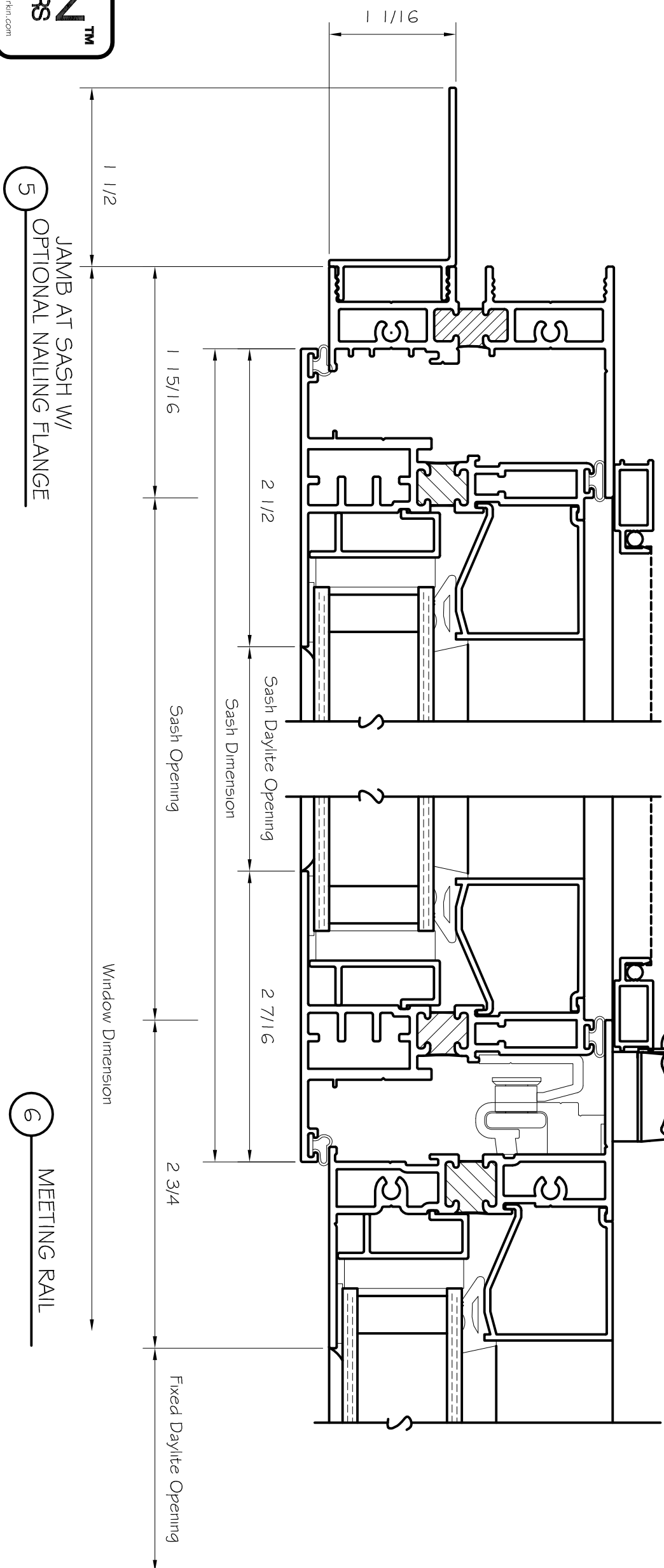
Phone: 402-494-6000 Email: gerk@gerkin.com



7 TRUE MUNTIN



8 JAMB @ FIXED



5 JAMB AT SASH W/
OPTIONAL NAILING FLANGE

6 MEETING RAIL